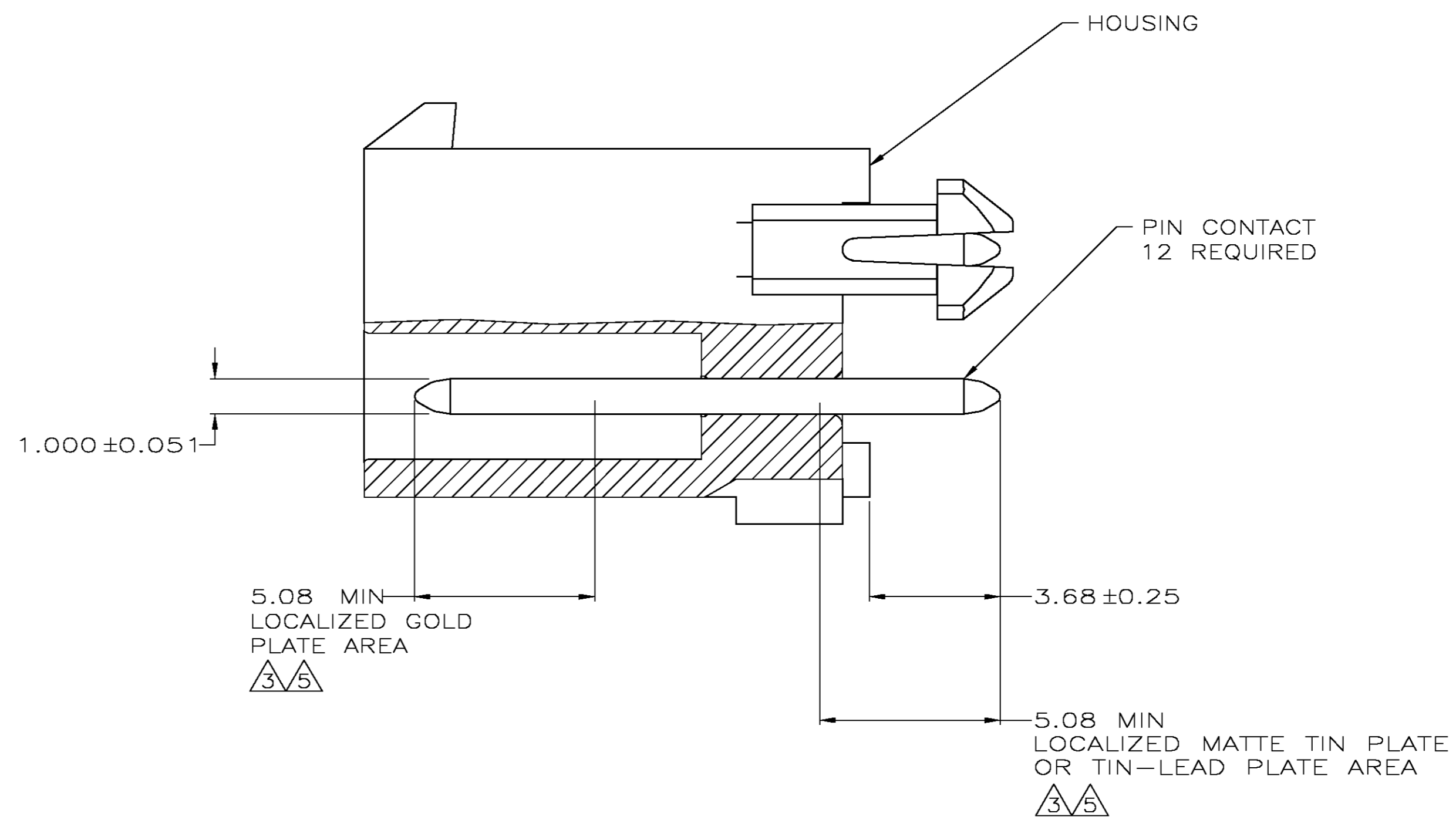
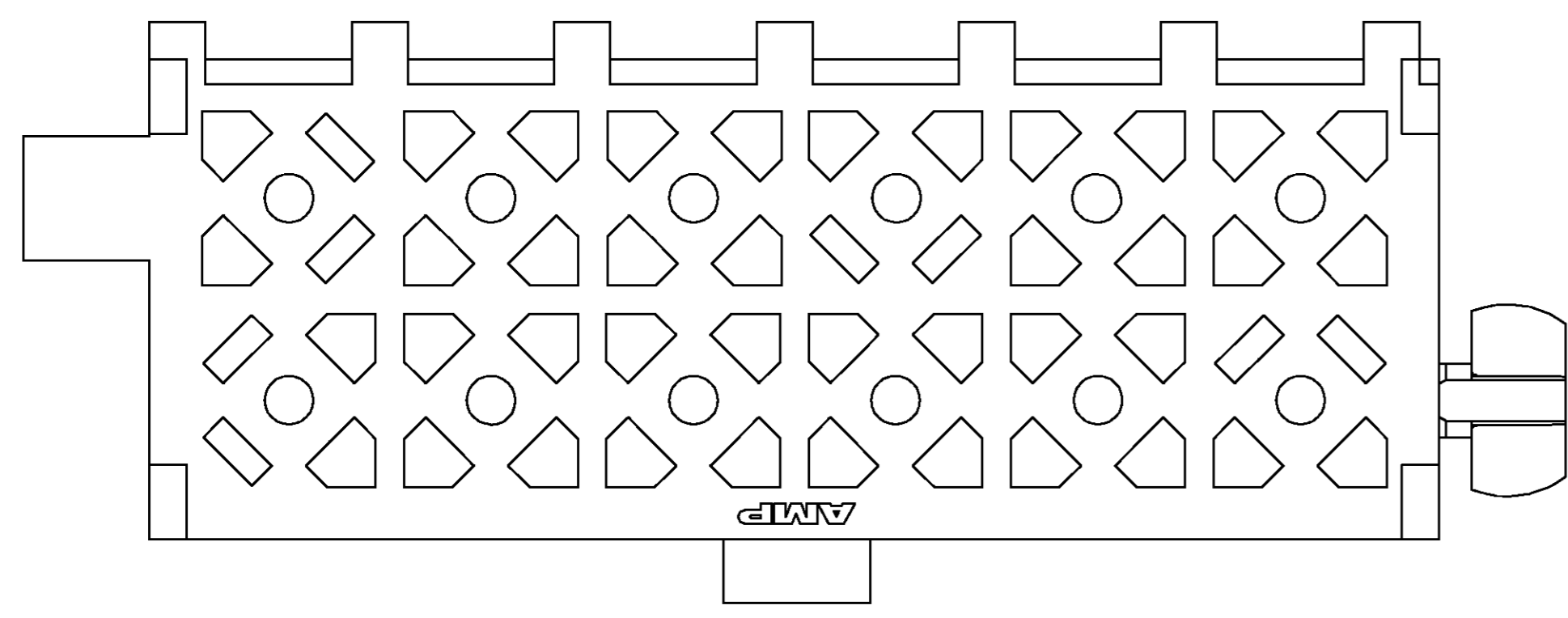
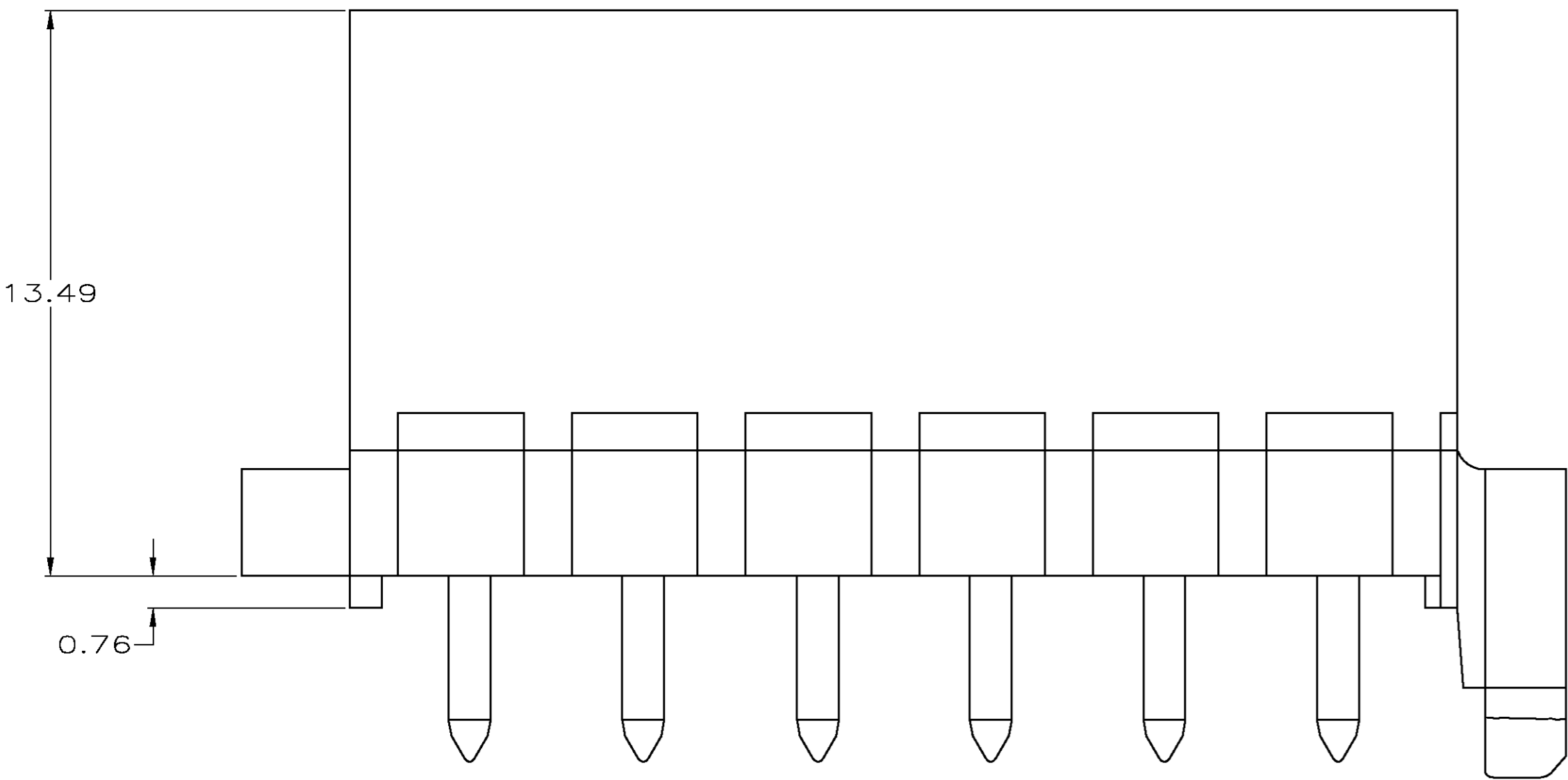
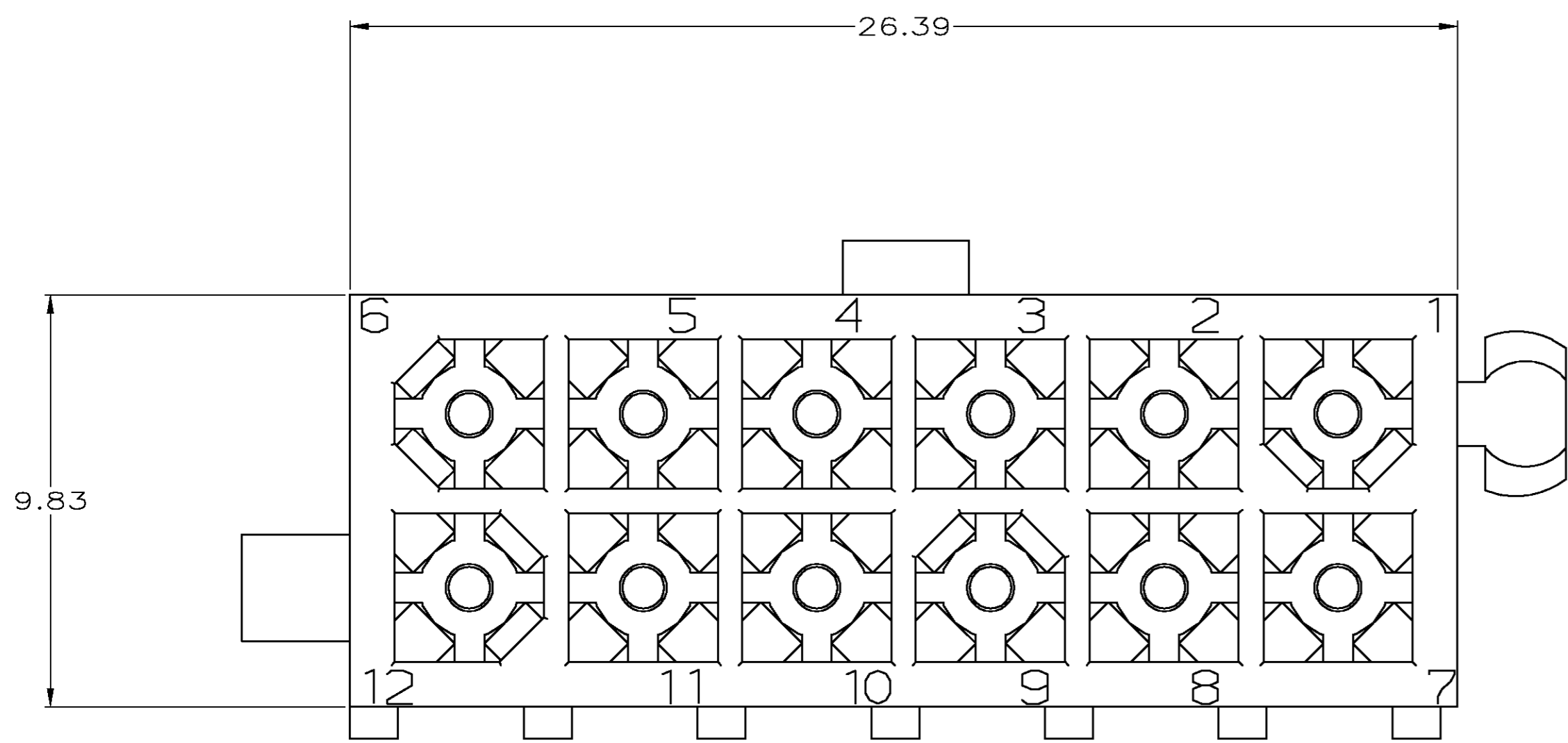
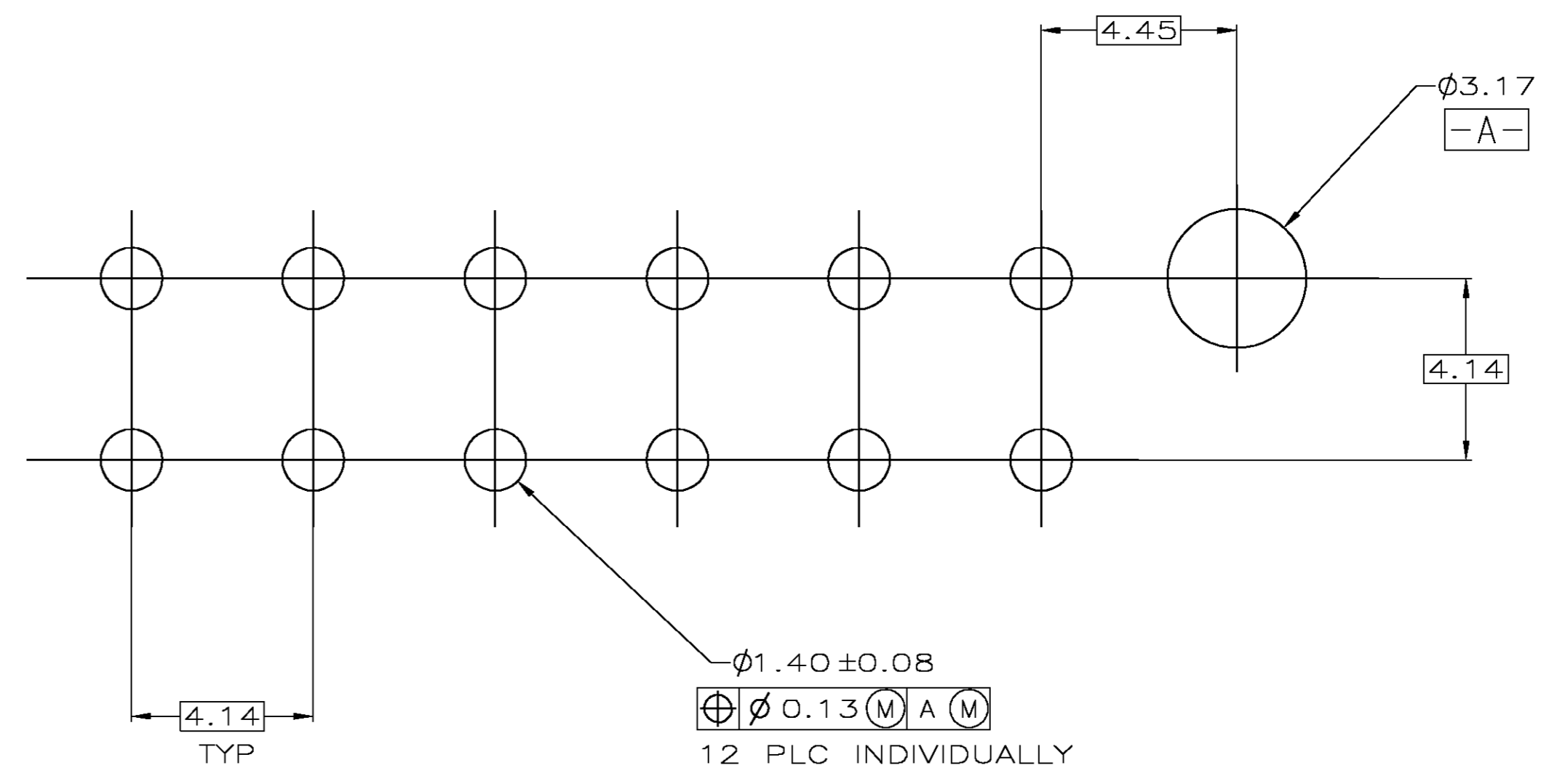


LOC	DIST	REVISIONS			
F	LTR	DESCRIPTION	DATE	DN	APVD
C		REVISED PER OG3B-0211-05	6/7/05	SS	RJ



- PINS TO COMPLY WITH AMP SOLDERABILITY SPEC. 109-11-3.
- 0.00381 MIN MATTE TIN LEAD PLATE OVER 0.00127 MIN NICKEL.
- 0.00076 MIN GOLD PLATE IN THE LOCALIZED PLATE AREA, 0.00381 MATTE TIN LEAD IN THE LOCALIZED PLATE AREA, BOTH OVER 0.00127 MIN NICKEL.
- 0.00381 MIN MATTE TIN PLATE OVER 0.00127 MIN NICKEL.
- 0.00076 MIN GOLD PLATE IN THE LOCALIZED PLATE AREA, 0.00381 MATTE TIN IN THE LOCALIZED PLATE AREA, BOTH OVER 0.00127 MIN NICKEL.



RECOMMENDED MOUNTING HOLE PATTERN FOR 1.57 THICK P.C. BOARD

BRASS, GOLD	NYLON, 94V-0, WHITE	1-794066-1
BRASS, TIN	NYLON, 94V-0, WHITE	1-794066-0
BRASS, GOLD	NYLON, 94V-0, WHITE	794066-2
BRASS, TIN LEAD	NYLON, 94V-0, WHITE	794066-1
PIN CONTACT MATERIAL AND FINISH	HOUSING MATERIAL AND COLOR	PART NUMBER

THIS DRAWING IS A CONTROLLED DOCUMENT.		DNW K. WHITAKER 6-12-95	Tyco Electronics Corporation Harrisburg, Pa 17105-3608	
DIMENSIONS: mm		OK R. SWING 6-12-95	NAME: R. ORSTAD 6-13-95	
TOLERANCES UNLESS OTHERWISE SPECIFIED:		PRODUCT SPEC: ---		
0 PLC ± -	1 PLC ± -	APPLICATION SPEC: ---		
2 PLC ± 0.13	3 PLC ± -	SIZE: A1 CAGE CODE: 00779C DRAWING NO: 794066		
4 PLC ± -	ANGLES ± -	RESTRICTED TO: ---		
FINISH: SEE TABLE		CUSTOMER DRAWING		
WEIGHT: ---		SCALE: 8:1 SHEET: 1 OF 1 REV: C		